



Professional GFP 18V-10

Robert Bosch Power Tools GmbH
70538 Stuttgart
GERMANY

www.bosch-pt.com

1 609 92A 9TA (2025.09) 0 / 23

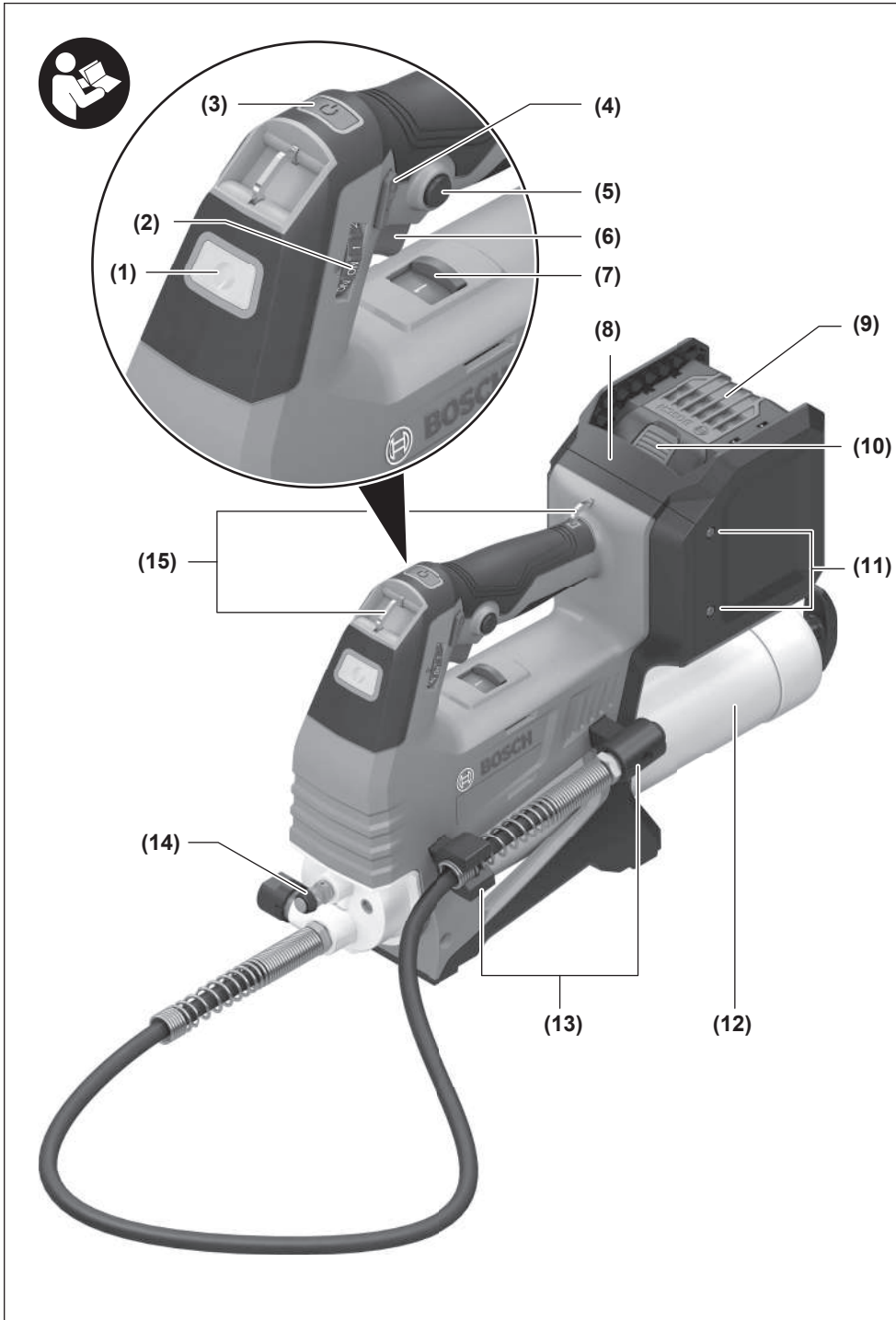


1 609 92A 9TA

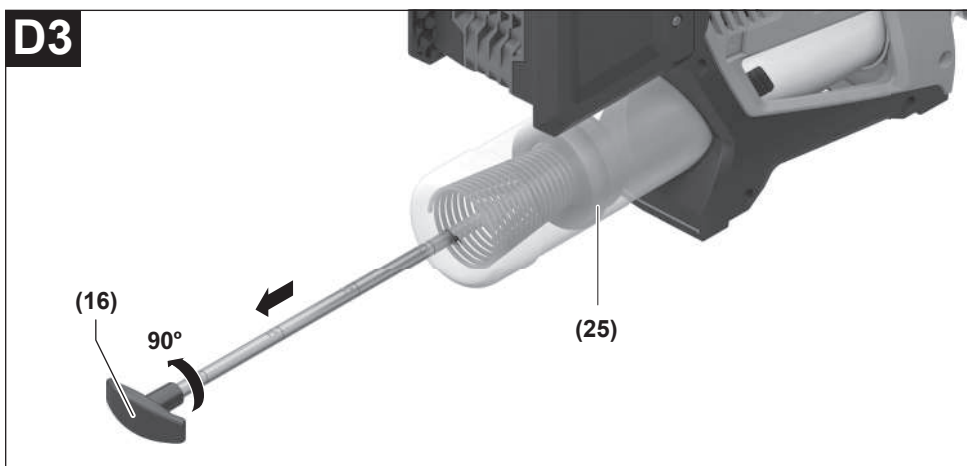
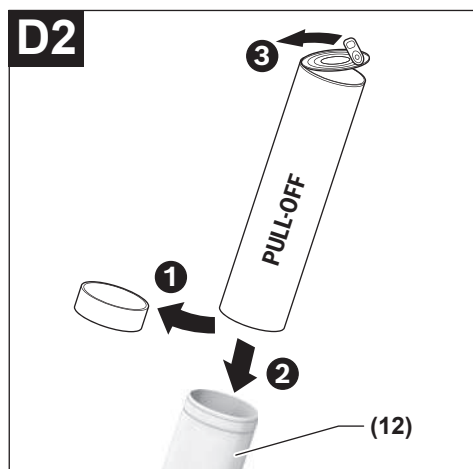
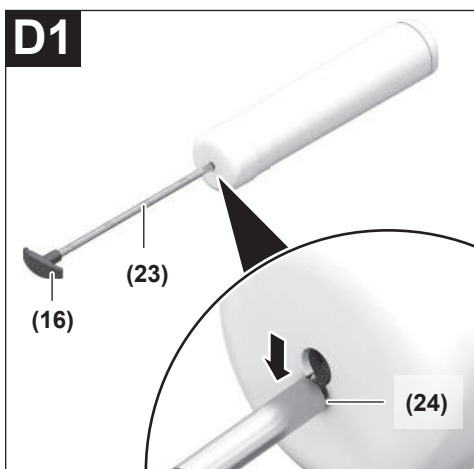
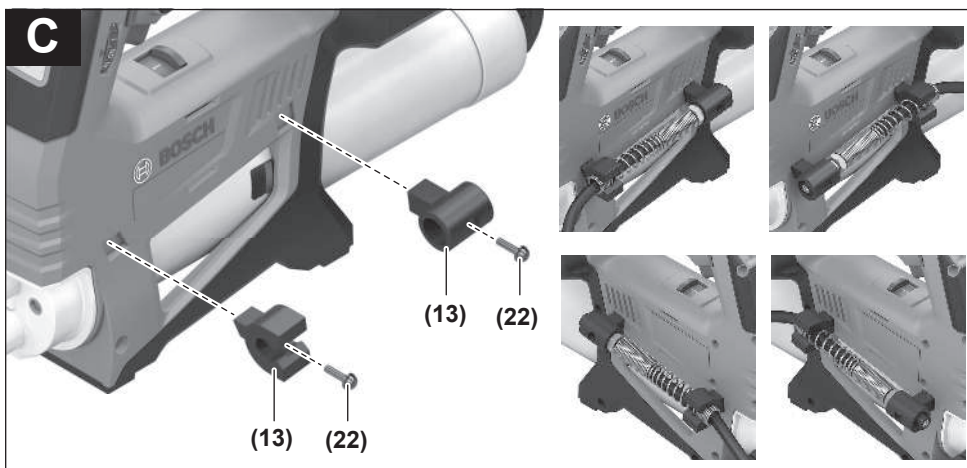


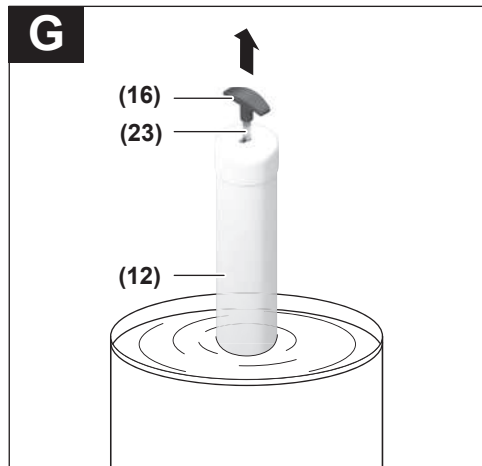
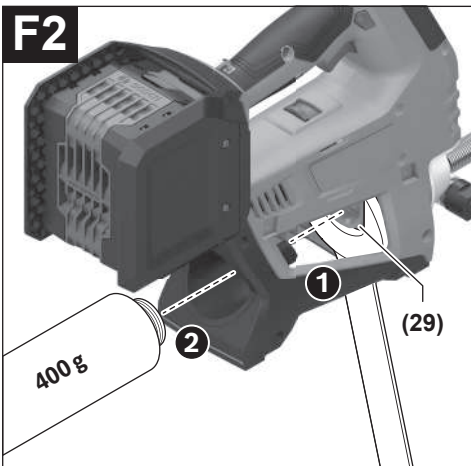
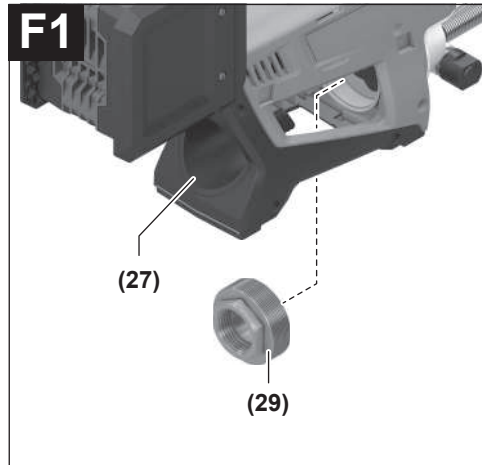
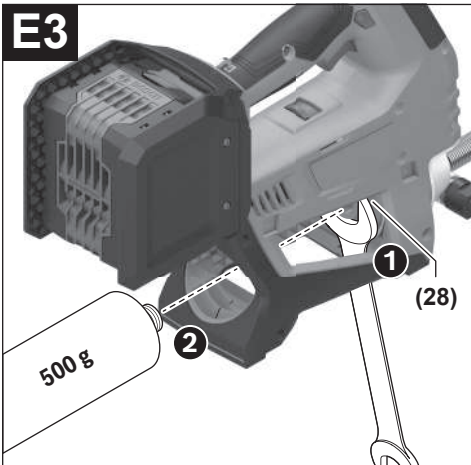
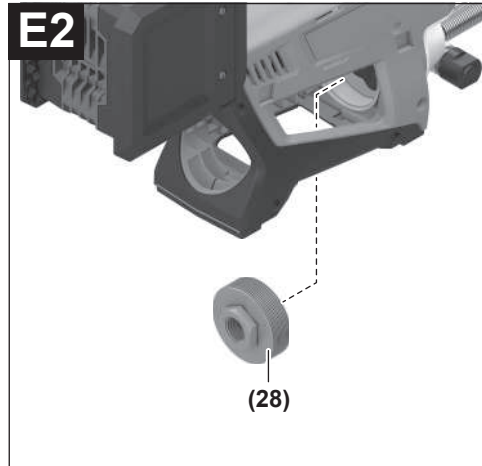
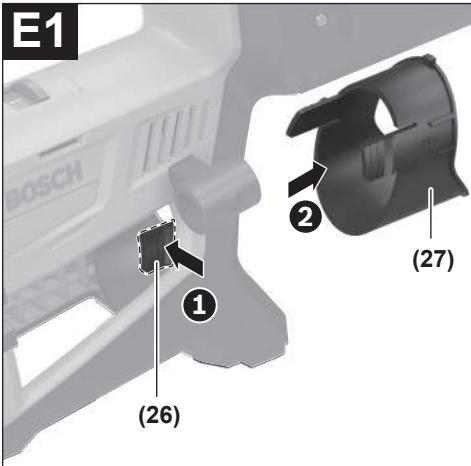
en Original instructions













English

Safety instructions

General Power Tool Safety Warnings

⚠ WARNING Read all safety warnings, instructions, illustrations and specifications provided with this power tool. Failure to follow all instructions listed below may result in electric shock, fire and/or serious injury.

Save all warnings and instructions for future reference.

The term "power tool" in the warnings refers to your mains-operated (corded) power tool or battery-operated (cordless) power tool.

Work area safety

- ▶ **Keep work area clean and well lit.** Cluttered or dark areas invite accidents.
- ▶ **Do not operate power tools in explosive atmospheres, such as in the presence of flammable liquids, gases or dust.** Power tools create sparks which may ignite the dust or fumes.
- ▶ **Keep children and bystanders away while operating a power tool.** Distractions can cause you to lose control.

Electrical safety

- ▶ **Power tool plugs must match the outlet. Never modify the plug in any way. Do not use any adapter plugs with earthed (grounded) power tools.** Unmodified plugs and matching outlets will reduce risk of electric shock.
- ▶ **Avoid body contact with earthed or grounded surfaces, such as pipes, radiators, ranges and refrigerators.** There is an increased risk of electric shock if your body is earthed or grounded.
- ▶ **Do not expose power tools to rain or wet conditions.** Water entering a power tool will increase the risk of electric shock.
- ▶ **Do not abuse the cord. Never use the cord for carrying, pulling or unplugging the power tool. Keep cord away from heat, oil, sharp edges or moving parts.** Damaged or entangled cords increase the risk of electric shock.
- ▶ **When operating a power tool outdoors, use an extension cord suitable for outdoor use.** Use of a cord suitable for outdoor use reduces the risk of electric shock.
- ▶ **If operating a power tool in a damp location is unavoidable, use a residual current device (RCD) protected supply.** Use of an RCD reduces the risk of electric shock.

Personal safety

- ▶ **Stay alert, watch what you are doing and use common sense when operating a power tool. Do not use a power tool while you are tired or under the influence of drugs, alcohol or medication.** A moment of inatten-

tion while operating power tools may result in serious personal injury.

- ▶ **Use personal protective equipment. Always wear eye protection.** Protective equipment such as a dust mask, non-skid safety shoes, hard hat or hearing protection used for appropriate conditions will reduce personal injuries.
- ▶ **Prevent unintentional starting. Ensure the switch is in the off-position before connecting to power source and/or battery pack, picking up or carrying the tool.** Carrying power tools with your finger on the switch or energising power tools that have the switch on invites accidents.
- ▶ **Remove any adjusting key or wrench before turning the power tool on.** A wrench or a key left attached to a rotating part of the power tool may result in personal injury.
- ▶ **Do not overreach. Keep proper footing and balance at all times.** This enables better control of the power tool in unexpected situations.
- ▶ **Dress properly. Do not wear loose clothing or jewellery. Keep your hair and clothing away from moving parts.** Loose clothes, jewellery or long hair can be caught in moving parts.
- ▶ **If devices are provided for the connection of dust extraction and collection facilities, ensure these are connected and properly used.** Use of dust collection can reduce dust-related hazards.
- ▶ **Do not let familiarity gained from frequent use of tools allow you to become complacent and ignore tool safety principles.** A careless action can cause severe injury within a fraction of a second.

Power tool use and care

- ▶ **Do not force the power tool. Use the correct power tool for your application.** The correct power tool will do the job better and safer at the rate for which it was designed.
- ▶ **Do not use the power tool if the switch does not turn it on and off.** Any power tool that cannot be controlled with the switch is dangerous and must be repaired.
- ▶ **Disconnect the plug from the power source and/or remove the battery pack, if detachable, from the power tool before making any adjustments, changing accessories, or storing power tools.** Such preventive safety measures reduce the risk of starting the power tool accidentally.
- ▶ **Store idle power tools out of the reach of children and do not allow persons unfamiliar with the power tool or these instructions to operate the power tool.** Power tools are dangerous in the hands of untrained users.
- ▶ **Maintain power tools and accessories. Check for misalignment or binding of moving parts, breakage of parts and any other condition that may affect the power tool's operation. If damaged, have the power tool repaired before use.** Many accidents are caused by poorly maintained power tools.

- ▶ **Keep cutting tools sharp and clean.** Properly maintained cutting tools with sharp cutting edges are less likely to bind and are easier to control.
- ▶ **Use the power tool, accessories and tool bits etc. in accordance with these instructions, taking into account the working conditions and the work to be performed.** Use of the power tool for operations different from those intended could result in a hazardous situation.
- ▶ **Keep handles and grasping surfaces dry, clean and free from oil and grease.** Slippery handles and grasping surfaces do not allow for safe handling and control of the tool in unexpected situations.

Battery tool use and care

- ▶ **Recharge only with the charger specified by the manufacturer.** A charger that is suitable for one type of battery pack may create a risk of fire when used with another battery pack.
- ▶ **Use power tools only with specifically designated battery packs.** Use of any other battery packs may create a risk of injury and fire.
- ▶ **When battery pack is not in use, keep it away from other metal objects, like paper clips, coins, keys, nails, screws or other small metal objects, that can make a connection from one terminal to another.** Shorting the battery terminals together may cause burns or a fire.
- ▶ **Under abusive conditions, liquid may be ejected from the battery; avoid contact. If contact accidentally occurs, flush with water. If liquid contacts eyes, additionally seek medical help.** Liquid ejected from the battery may cause irritation or burns.
- ▶ **Do not use a battery pack or tool that is damaged or modified.** Damaged or modified batteries may exhibit unpredictable behaviour resulting in fire, explosion or risk of injury.
- ▶ **Do not expose a battery pack or tool to fire or excessive temperature.** Exposure to fire or temperature above 130 °C may cause explosion.
- ▶ **Follow all charging instructions and do not charge the battery pack or tool outside the temperature range specified in the instructions.** Charging improperly or at temperatures outside the specified range may damage the battery and increase the risk of fire.

Service

- ▶ **Have your power tool serviced by a qualified repair person using only identical replacement parts.** This will ensure that the safety of the power tool is maintained.
- ▶ **Never service damaged battery packs.** Service of battery packs should only be performed by the manufacturer or authorized service providers.

Safety Instructions for Grease Guns

- ▶ **Wear protective gloves, eye protection, ear defenders and non-slip shoes when using the grease gun.**

- ▶ **Keep your hands away from the spring rod.** Your hand may be crushed when operating the grease gun.
- ▶ **Do not leave the grease gun in the sunlight.** Greases and lubricants may catch fire.
- ▶ **Do not store or use greases and lubricants near flames or in a hot place.** Greases and lubricants may catch fire.
- ▶ **Ensure that the hose has been screwed in at a tightening torque of 13–16 Nm.** Otherwise, the hose may come loose when working with the grease gun.
- ▶ **The filling valve must be compatible with the filling nozzle and designed for a pressure of at least 690 bar.** This will allow you to avoid damage to the grease gun and the low-pressure pump.
- ▶ **Use only greases that comply with the NLGI classes listed in the technical data. Also observe the instructions of the grease manufacturer.** Other unauthorised materials such as oils may spray out of the grease gun and injure your eyes or cause the grease gun to fail.
- ▶ **Read and observe the instructions of the grease manufacturer before use.**
- ▶ **Before carrying out any work on the grease gun (e.g. changing the cartridge), remove the battery from the power tool.** There is a risk of injury from unintentionally pressing the on/off switch
- ▶ **If you are working in an elevated position, secure the grease gun using a fall protection system.** This will enable you to avoid material damage and personal injury if you drop the grease gun. The shoulder strap must not be used as a fall protection system.
- ▶ **Always check the grease gun and the hose before using them. Stop using the grease gun if you discover any damage or wear on the grease gun or hose. The hose must not be blocked or kinked.** The hose may tear due to high pressure, and escaping grease may lead to injuries.
- ▶ **Do not forcibly crush or bend the flexible hose.** The hose may break or become deformed.
- ▶ **Do not carry the grease gun by the hose or the spring rod retractor.**
- ▶ **Do not point the hose at yourself or anyone around you when using the grease gun.** Grease spraying out may lead to injuries.
- ▶ **Keep the grease gun clean and wipe off any adhering grease.** This prevents the grease gun from slipping, consequently preventing any injuries.
- ▶ **Use only original Bosch accessories.**
- ▶ **Keep your work area clean, dry, well-lit and sufficiently ventilated.**
- ▶ **In case of damage and improper use of the battery, vapours may be emitted. The battery can set alight or explode.** Ensure the area is well ventilated and seek medical attention should you experience any adverse effects. The vapours may irritate the respiratory system.
- ▶ **Do not modify or open the battery.** There is a risk of short-circuiting.

► **The battery can be damaged by pointed objects such as nails or screwdrivers or by force applied externally.**

An internal short circuit may occur, causing the battery to burn, smoke, explode or overheat.

► **Only use the battery in the manufacturer's products.**

This is the only way in which you can protect the battery against dangerous overload.



Protect the battery against heat, e.g. against continuous intense sunlight, fire, dirt, water and moisture. There is a risk of explosion and short-circuiting.



Product Description and Specifications



Read all the safety and general instructions.

Failure to observe the safety and general instructions may result in electric shock, fire and/or serious injury.

Please observe the illustrations at the beginning of this operating manual.

Intended use

The power tool is intended for greasing moving parts via the standard lubrication points provided for this purpose, using commercially available greases intended for grease guns in cartridges or from containers.

Product features

The numbering of the product features refers to the diagram of the power tool on the graphics page.

- (1) LED worklight
- (2) Pump stroke preselection thumbwheel
- (3) On/off switch for worklight
- (4) Locking mechanism
- (5) Lock-on button
- (6) On/off switch
- (7) Gear selector switch
- (8) Protective housing for rechargeable battery
- (9) Rechargeable battery^{a)}
- (10) Battery release button^{a)}
- (11) Screw for protective housing for rechargeable battery
- (12) Grease cylinder
- (13) Hose bracket
- (14) Bleed valve
- (15) Bracket for the shoulder strap
- (16) Spring rod retractor
- (17) Cylinder cap
- (18) Pressure relief valve
- (19) Hose
- (20) Shoulder strap

- (21) Nut (fastening of hose/power tool)
- (22) Screw for hose bracket
- (23) Spring rod
- (24) Safety groove
- (25) Grease pusher
- (26) Retaining spring
- (27) Reducer
- (28) Adapter for 500 g screw-in cartridge^{a)}
- (29) Adapter for 400 g screw-in cartridge^{a)}
- (30) Screw plug
- (31) Nosepiece
- (32) 90° nosepiece
- (33) Sleeve

a) **This accessory is not part of the standard scope of delivery.**

Technical Data

Cordless grease gun	GFP 18V-10	
Article number	3 601 JN6 0..	
Rated voltage	V=	18
Grease filling volume	g	400
Max. operating pressure	psi	10000
Max. flow rate	g/min	320
Hose length	mm	1200
Approved grease type	NLGI 0-2	
Weight ^{A)}	kg	4.4
Recommended ambient temperature during charging	°C	0 to +35
Permitted ambient temperature during operation ^{B)} and during storage	°C	-20 to +50
Recommended rechargeable batteries	GBA18V... GBA 18V... ProCORE18V... EXPERT18V... EXBA18V... CORE18V...	
Recommended chargers	GAL18... GAL 18... GAL 36... GAL12V/18... GAL 12V/18... GAX 18... EXAL18...	

A) Without rechargeable battery (you can find the battery weight at www.bosch-professional.com.)

B) Limited performance at temperatures < 0 °C

Values can vary depending on the product, scope of application and environmental conditions. To find out more, visit www.bosch-professional.com/wac.

Noise/vibration information

Noise emission values determined according to **EN 62841-1**.

Typically, the A-weighted sound pressure level of the power tool is **77 dB(A)**. Uncertainty $K = 3$ dB. The noise level when working can exceed the volume stated. **Wear hearing protection!**

Vibration total values a_{hv} (triax vector sum) and uncertainty K determined according to **EN 62841-1**:

$a_{hv} < 2.5$ m/s², $K = 1.5$ m/s²

The vibration level and noise emission value given in these instructions have been measured in accordance with a standardised measuring procedure and may be used to compare power tools. They may also be used for a preliminary estimation of vibration and noise emissions.

The stated vibration level and noise emission value represent the main applications of the power tool. However, if the power tool is used for other applications, with different accessories or is poorly maintained, the vibration level and noise emission value may differ. This may significantly increase the vibration and noise emissions over the total working period.

To estimate vibration and noise emissions accurately, the times when the tool is switched off or when it is running but not actually being used should also be taken into account. This may significantly reduce vibration and noise emissions over the total working period.

Implement additional safety measures to protect the operator from the effects of vibration, such as servicing the power tool and accessories, keeping their hands warm, and organising workflows correctly.

Rechargeable battery

Bosch sells some cordless power tools without a rechargeable battery. You can tell whether a rechargeable battery is included with the power tool by looking at the packaging.

Charging the battery

- **Use only the chargers listed in the technical data.** Only these chargers are matched to the lithium-ion battery of your power tool.

Note: Lithium-ion rechargeable batteries are supplied partially charged according to international transport regulations. To ensure full rechargeable battery capacity, fully charge the rechargeable battery before using your tool for the first time.

Inserting the Battery

Push the charged battery into the battery holder until it clicks into place.

Removing the Battery

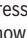
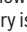
To remove the rechargeable battery, press the battery release button and pull the battery out. **Do not use force to do this.**

The rechargeable battery has two locking levels to prevent the battery from falling out if the battery release button is pressed unintentionally. The rechargeable battery is held in place by a spring when fitted in the power tool.

Battery charge indicator

Note: Not all battery types have a battery charge indicator.

The green LEDs on the battery charge indicator indicate the state of charge of the battery. For safety reasons, it is only possible to check the state of charge when the power tool is not in operation.

Press the button for the battery charge indicator  or  to show the state of charge. This is also possible when the battery is removed.

If no LED lights up after pressing the button for the battery charge indicator, then the battery is defective and must be replaced.

The state of charge of the battery is also displayed on the user interface Status indications.

Rechargeable battery type GBA 18V... | GBA18V...



LED	Capacity
3 × continuous green light	60–100 %
2 × continuous green light	30–60 %
1 × continuous green light	5–30 %
1 × flashing green light	0–5 %

Battery model ProCORE18V...



LED	Capacity
5 × continuous green light	80–100 %
4 × continuous green light	60–80 %
3 × continuous green light	40–60 %
2 × continuous green light	20–40 %
1 × continuous green light	5–20 %
1 × flashing green light	0–5 %

Recommendations for Optimal Handling of the Battery

Protect the battery against moisture and water.

Only store the battery within a temperature range of -20 to 50 °C. Do not leave the battery in your car in the summer, for example.

Occasionally clean the ventilation slots on the battery using a soft brush that is clean and dry.

A significantly reduced operating time after charging indicates that the battery has deteriorated and must be replaced. Follow the instructions on correct disposal.

Assembly

- **Before carrying out any work on the power tool (e.g. maintenance, tool change etc.), remove the battery from the power tool.** There is risk of injury from unintentionally pressing the on/off switch.

Installing the shoulder strap (see figure A)

During work, you can hang the power tool across your shoulder using the shoulder strap (20).

- Hook the shoulder strap (20) into the brackets (15).

Changing the hose (see figure B)

The product is supplied with a hose (19) with a length of 120 cm already fitted.

Replace any kinked or damaged hoses.

- Loosen the nut (21) on the hose using a commercially available wrench and unscrew the installed hose (19) from the power tool.
- Screw the new hose (19) into the power tool and then tighten the nut (21) to a tightening torque of 13–16 Nm.

Converting hose brackets (see figure C)

The hose brackets (13) can be flexibly positioned on the power tool.

- Detach the hose (19) from the hose bracket (13).
- Loosen the screws (22) and pull the hose brackets out of the housing.
- Depending on your preferred work posture, insert the hose bracket into the recesses provided and tighten it again.

Filling the power tool with grease

Permissible cartridges

- 400 g pull-off cartridges
- 500 g screw-in cartridge
(can be used with adapter (28): **2 608 001 205**)
- 400 g screw-in cartridge
(can be used with adapter (29): **2 608 001 204**)

Inserting the 400 g Pull-Off Cartridge (see figures D1–D2)

- Unscrew the grease cylinder (12) from the power tool by turning it anticlockwise.
- Pull the spring rod (23) on the retractor (16) all the way out and lock it in the safety groove (24).
- Remove the cap from the 400 g pull-off cartridge and insert the cartridge into the grease cylinder (12) with the open side facing down.
- Only now should you tear off the pull-off closure of the cartridge.
- Screw the grease cylinder (12) into the power tool by turning it clockwise.
- Release the spring rod (23) from the safety groove (24) and slowly press the spring rod into the grease cylinder (12) as far as it will go.

or

Release the spring rod (23) from the safety groove (24) and lock the spring rod by rotating 90° with the grease pusher (25). As the grease flows out from the front, the spring rod is pulled from the back, and the remaining quantity can be read off the scale of the spring rod (see figure D3).

- Bleed the system (see "Bleeding (see figure I)", page 13).

Inserting the 500 g Screw-in Cartridge (see figures E1–E3)

- Unscrew the grease cylinder (12) from the power tool by turning it anticlockwise.
- Press the retaining springs (26) together and pull the reducer (27) out of the housing.
- Screw the adapter (28) into the power tool and tighten it with a wrench (width across flats 30 mm).
- Screw a 500 g screw-in cartridge into the adapter (28).
- Bleed the system (see "Bleeding (see figure I)", page 13).

Inserting the 400 g Screw-in Cartridge (see figures F1–F2)

- Unscrew the grease cylinder (12) from the power tool by turning it anticlockwise.
- If necessary, reinsert the reducer (27) into the housing.
- Screw the adapter (29) into the power tool and tighten it with a wrench (width across flats 41 mm).
- Screw a 400 g screw-in cartridge into the adapter (29).
- Bleed the system (see "Bleeding (see figure I)", page 13).

Filling the grease cylinder from containers (see figure G)

- Unscrew the grease cylinder (12) from the power tool by turning it anticlockwise.
- Immerse the grease cylinder approx. 5 cm in the grease from the container.
- Slowly pull the spring rod (23) on the retractor (16) all the way out and lock it in the safety groove (24).
- Screw the grease cylinder (12) into the power tool by turning it clockwise.
- Release the spring rod (23) from the safety groove (24) and slowly press the spring rod into the grease cylinder (12) as far as it will go.

or

Release the spring rod (23) from the safety groove (24) and lock the spring rod by rotating 90° with the grease pusher (25). As the grease flows out from the front, the spring rod is pulled from the back, and the remaining quantity can be read off the scale of the spring rod (see figure D3).

- Bleed the system (see "Bleeding (see figure I)", page 13).

Filling the grease cylinder using the filling pump (see figures H1–H2)

Using a low-pressure pump, the grease cylinder (12) can be filled directly from a grease barrel via a filling valve (1/8" NPT thread).

- Remove the screw plug (30) using a commercially available hex key, and screw the filling valve (component of the low-pressure pump) into the thread.
- Connect the low-pressure pump to the filling valve and fill the grease cylinder (12).
- If you always connect the grease cylinder to a low-pressure pump for filling, you can leave the filling valve screwed into the power tool. Otherwise, unscrew the filling valve from the power tool and close the thread again with the screw plug (30).
- Bleed the system (see "Bleeding (see figure I)", page 13).

Bleeding (see figure I)

Bleeding via the bleed valve

- To bleed the grease cylinder (12) or the inserted cartridges, press the bleed valve (14) until grease is escaping continuously.

During bleeding, you can also press the on/off switch (6).

Active bleeding

- Lock the spring rod (23) by turning it 90° with the grease slider (25). Press on the bleed valve (14) and push the spring rod forwards until grease escapes from the bleed valve (14).

or

Press on the bleed valve (14) and push the base of the inserted cartridge (500 g screw-in cartridge or 400 g screw-in cartridge) forwards using a suitable object until grease escapes from the bleed valve (14).

Installing the 90° nosepiece (see figure J)

For lubrication points that are difficult to access, a nosepiece angled by 90° (32) can be installed on the normal nosepiece (31).

- Insert the 90° nosepiece (32) into the normal nosepiece (31) on the hose (19) and push the sleeve (33) over the connection.
- To remove the 90° nosepiece (32), push back the sleeve (33) and pull the 90° nosepiece (32) out of the nosepiece (31).

Replacing the protective housing for the rechargeable battery

If the protective housing for the rechargeable battery (8) has been damaged, it must be replaced.

- Remove the rechargeable battery (9).
- Loosen the screws (11) and remove the damaged protective housing for the rechargeable battery.
- Screw the new protective housing for the rechargeable battery back on.

Operation

Work preparation

Setting the number of pump strokes

By preselecting the pump strokes, a constant grease quantity can be applied to various lubrication points.

- Set the required number of pump strokes on the thumbwheel (2).

Thumbwheel (2)	Number of pump strokes
ON	Unlimited as long as the on/off switch (6) is pressed.
1 ... 50	Once the set number of pump strokes has been reached, the power tool switches off automatically, even if the on/off switch (6) continues to be pressed.

Setting the gear

The power tool has two gears that regulate the grease flow rate in relation to the working pressure.

- Set the required gear using the switch (7).

Switch (7)	Grease quantity/working pressure
First gear	<ul style="list-style-type: none"> – Grease flow rate: 100 g/min – Maximum working pressure: 10000 psi
Second gear	<ul style="list-style-type: none"> – Maximum grease flow rate: 320 g/min – Working pressure: 6000–8000 psi

Overview of grease quantities

Different grease quantities are applied depending on the number of pump strokes.

Number of pump strokes	Grease quantity ^{A)} [g]
1	0.7
2	1.4
3	2.1
4	2.8
5	3.5
6	4.2
7	4.9
8	5.6
9	6.3
10	7.0
15	10.5
20	14.0
25	17.5
50	35.0

A) ± 5 %

Starting operation

Switching on and off

- To **unlock** the on/off switch **(6)**, press the locking mechanism **(4)** from left to right.
- To **start** the power tool, press and hold the on/off switch **(6)**.
- With the on/off switch pressed, press the lock-on button **(5)** to **lock** the on/off switch **(6)** in this position.
- To **switch off** the power tool, release the on/off switch **(6)**; or, if the switch is locked with the lock-on button **(5)**, briefly press the on/off switch **(6)** and then release it.
- After working, press the locking mechanism **(4)** from right to left to prevent grease from escaping unintentionally.

Worklight

The LED worklight **(1)** illuminates the work area in poor lighting conditions.

- To switch the worklight on, press the on/off switch of the worklight **(3)**.
If the grease gun is not operated when the worklight is switched on, the worklight switches off again automatically after some time.
- To switch the worklight off, press the on/off switch of the worklight **(3)** again.

Working Advice

- ▶ **Comply with the manufacturer's instructions regarding the greases!** Certain greases can only be used in a certain temperature range.
- ▶ **Open and use the cartridges in accordance with the manufacturer's specifications.**
- ▶ **The brackets for the shoulder strap do not act as fall protection.** Use the brackets **(15)** only to attach a shoulder strap.

Greasing (see figure K)

- Fill the power tool with grease.
- Install the required nosepiece: **(31)/(32)**.
- Set the required gear (switch **(7)**).
- If required, set the number of pump strokes (thumbwheel **(2)**).
- Connect the nosepiece to the lubrication point.
- Unlock the on/off switch (locking mechanism **(4)**).
- Switch the power tool on (on/off switch **(6)**).
- Once the required grease quantity has been applied to the lubrication point, switch the power tool off.
or
Once the set number of pump strokes has been reached, the power tool switches off automatically.

Pressure relief valve

The pressure relief valve **(18)** opens if the working pressure exceeds the maximum pressure of 10,000 psi during greasing. Grease is drained into the cap of the pressure relief valve, and the power tool switches off automatically.

- Switch the power tool off.
- Inspect the lubrication point and the hose **(19)** for possible blockages.

Once any faults have been rectified, work can continue as normal.

Maintenance and Service

Maintenance and Cleaning

- ▶ **Before carrying out any work on the power tool (e.g. maintenance, tool change etc.), remove the battery from the power tool.** There is risk of injury from unintentionally pressing the on/off switch.
- ▶ **To ensure safe and efficient operation, always keep the power tool and the ventilation slots clean.**

After-Sales Service and Application Service

Australia

Phone: (01300) 307044

Great Britain

Tel. Service: (0344) 7360109

GB Importer:

Robert Bosch Ltd.
Broadwater Park
North Orbital Road
Uxbridge
UB9 5HJ

India

Phone: (044) 64561816

Israel

Tel. 03-9630050

Korea

Tel.: 080-955-0909 (Hotline)

Malaysia

Tel.: (03) 79663194

In all correspondence and spare parts orders, please always include the 10-digit article number given on the nameplate of the product.

Disposal

Power tools, rechargeable batteries, accessories and packaging should be sorted for environmental-friendly recycling.



Do not dispose of power tools and batteries/rechargeable batteries into household waste!

Only for EU countries and United Kingdom:

Electrical and electronic equipment or used batteries that are no longer suitable for use must be collected separately and disposed of in an environmentally friendly manner. Use the designated collection systems. Incorrect disposal may cause harmful effects on the environment and human health, due to the potential presence of hazardous substances.

Product Data Information according to regulation (EU) 2023/2854

Connected products or related services generate data during their use. The following sections inform about the generated data related to the product and how the product data can be accessed.

Type of Product Data

The product may generate the following type of data during its use. The actual generated data depends on the particular usage of the product.

- Operating time
- Battery information
- Component temperatures
- Activation of functions
- Failure and service events
- Application information

Product Data Logging

Information about collection of product data and data storage:

- Less than 1 kB of product data is logged.
- The product is capable to store product data on-device while the product is powered on.

Data Access and Data Format

Information how data can be accessed or retrieved by the user:

- Within the EU the user can request the product data via Bosch Power Tools service (email: **PT-Service.EU-DataAct@de.bosch.com**), if the user sends the device to a Bosch service, and/or
- If the product provides a wireless interface the user can get direct access to the product data via the corresponding Bosch Power Tools mobile application.
- The data is provided in a commonly used and machine-readable format (e.g., JSON).



2 608 001 206





2 608 001 205



2 608 001 204

de	EU-Konformitätserklärung Akku-Fettpresse Sachnummer	Wir erklären in alleiniger Verantwortung, dass die genannten Produkte allen einschlägigen Bestimmungen der nachfolgend aufgeführten Richtlinien und Verordnungen entsprechen und mit folgenden Normen übereinstimmen. Technische Unterlagen bei: *
en	EU Declaration of Conformity Cordless grease gun Article number	We declare under our sole responsibility that the stated products comply with all applicable provisions of the directives and regulations listed below and are in conformity with the following standards. Technical file at: *
fr	Déclaration de conformité UE Pompe à graisse sans-fil N° d'article	Nous déclarons sous notre propre responsabilité que les produits décrits sont en conformité avec les directives, règlements normatifs et normes énumérés ci-dessous. Dossier technique auprès de: *
es	Declaración de conformidad UE Bomba de engrase accionada por acumulador N° de artículo	Declaramos bajo nuestra exclusiva responsabilidad, que los productos nombrados cumplen con todas las disposiciones correspondientes de las Directivas y los Reglamentos mencionados a continuación y están en conformidad con las siguientes normas. Documentos técnicos de: *
pt	Declaração de Conformidade UE Bomba de lubrificação sem fio N.º do produto	Declaramos sob nossa exclusiva responsabilidade que os produtos mencionados cumprem todas as disposições e os regulamentos indicados e estão em conformidade com as seguintes normas. Documentação técnica pertencente à: *
it	Dichiarazione di conformità UE Ingrassatore a batteria Codice prodotto	Dichiariamo sotto la nostra piena responsabilità che i prodotti indicati sono conformi a tutte le disposizioni pertinenti delle Direttive e dei Regolamenti elencati di seguito, nonché alle seguenti Normative. Documentazione Tecnica presso: *
nl	EU-conformiteitsverklaring Accuvetspuit Productnummer	Wij verklaren op eigen verantwoordelijkheid dat de genoemde producten voldoen aan alle desbetreffende bepalingen van de hierna genoemde richtlijnen en verordeningen en overeenstemmen met de volgende normen. Technisch dossier bij: *
da	EU-overensstemmelseserklæring Batteridrevet fedtpresse Typenummer	Vi erklærer som eneansvarlige, at det beskrevne produkt er i overensstemmelse med alle gældende bestemmelser i følgende direktiver og forordninger og opfylder følgende standarder. Tekniske bilag ved: *
sv	EU-konformitetsförklaring Batteridrivnen fettspruta Produktnummer	Vi förklarar under eget ansvar att de nämnda produkterna uppfyller kraven i alla gällande bestämmelser i de nedan angivna direktiven och förordningarnas och att de stämmer överens med följande normer. Teknisk dokumentation: *
no	EU-samsvarserklæring Batteri-Fettpistol Produktnummer	Vi erklærer under eneansvar at de nevnte produktene er i overensstemmelse med alle relevante bestemmelser i direktivene og forordningene nedenfor og med følgende standarder. Teknisk dokumentasjon hos: *
fi	EU-vaatimustenmukaisuusvakuutus Akkukäyttöinen rasvapuristin Tuotenumero	Vakuutamme täten, että mainitut tuotteet vastaavat kaikkia seuraavien direktiivien ja asetusten asiaankuuluvia vaatimuksia ja ovat seuraavien standardien vaatimusten mukaisia. Tekniset asiakirjat saatavana: *
el	Δήλωση πιστότητας ΕΕ Γρασαδόρος μπαταρίας Αριθμός ευρετηρίου	Δηλώνουμε με αποκλειστική μας ευθύνη, ότι τα αναφερόμενα προϊόντα αντιστοιχούν σε όλες τις σχετικές διατάξεις των πιο κάτω αναφερόμενων οδηγιών και κανονισμών και ταυτίζονται με τα ακόλουθα πρότυπα. Τεχνικά έγγραφα στη: *
tr	AB Uygunluk beyanı Akülü gres tabancası Ürün kodu	Tek sorumlu olarak, tanımlanan ürünün aşağıdaki yönetmelik ve direktiflerin geçerli bütün hükümlerine ve aşağıdaki standartlara uygun olduğunu beyan ederiz. Teknik belgelerin bulunduğu yer: *

pl	Deklaracja zgodności UE Smarownica akumulatorowa	Numer katalogowy	Oświadczamy z pełną odpowiedzialnością, że niniejsze produkty odpowiadają wszystkim wymaganiom poniżej wyszczególnionych dyrektyw i rozporządzeń, oraz że są zgodne z następującymi normami. Dokumentacja techniczna: *
cs	EU prohlášení o shodě Akumulátorový mazací lis	Objednací číslo	Prohlašujeme na výhradní zodpovědnost, že uvedený výrobek splňuje všechna příslušná ustanovení níže uvedených směrníc a nařízení a je vsouladu snásledujícími normami: Technické podklady u: *
sk	EÚ vyhlásenie o zhode Akumulátorový mazací lis	Vecné číslo	Vyhlasujeme na výhradnú zodpovednosť, že uvedený výrobok spĺňa všetky príslušné ustanovenia nižšie uvedených smerníc a nariadení a je vsúlade snasledujúcimi normami: Technické podklady má spoločnosť: *
hu	EU konformitási nyilatkozat Akkus zsírözprés	Cikkszám	Egyedüli felelősséggel kijelentjük, hogy a megnevezett termék megfelelnek az alábbiakban felsorolásra kerülő irányelvek és rendeletek valamennyi idevágó előírásainak és megfelelnek a következő szabványoknak. Műszaki dokumentumok megőrzési pontja: *
ru	Заявление о соответствии ЕС Аккумуляторный смазочный шприц	Товарный №	Мы заявляем под нашу единоличную ответственность, что названные продукты соответствуют всем действующим предписаниям нижеуказанных директив и распоряжений, а также нижеуказанных норм. Техническая документация хранится у: *
uk	Заява про відповідність ЄС Акумуляторний мастильний пістолет	Товарний номер	Мизаявляємо під нашу одноособову відповідальність, що названі вироби відповідають усім чинним положенням нищеозначених директив і розпоряджень, а також нищеозначеним нормам. Технічна документація зберігається у: *
kk	EO сәйкестік мағлұмдамасы Аккумуляторлық майлағыш шприц	Өнім нөмірі	Өз жауапкершілікпен біз аталған өнімдер төменде жзылған директикалар мен жарлықтардың тиісті қағидаларына сәйкестігін және төмендегі нормаларға сай екенін білдіреміз. Техникалық құжаттар: *
ro	Declarație de conformitate UE Presă de lubrifiere cu acumulator	Număr de identificare	Declarăm pe proprie răspundere că produsele menționate corespund tuturor dispozițiilor relevante ale directivelor și reglementărilor enumerate în cele ce urmează și sunt în conformitate cu următoarele standarde. Documentație tehnică la: *
bg	ЕС декларация за съответствие Акумуляторна преса за грес	Каталожен номер	С пълна отговорност ние декларираме, че посочените продукти отговарят на всички валидни изисквания на директивите и разпоредбите по-долу и съответства на следните стандарти. Техническа документация при: *
mk	EU-Изјава за сообразност Батериски пиштол за подмачкување	Број на дел/артикл	Со целосна одговорност изјавуваме, дека опишаните производи се во согласност со сите релевантни одредби на следните регулативи и прописи и се во согласност со следните норми. Техничка документација кај: *
sq	Deklarata EU e konformitetit Pistoletë grasimi me bateri	Kodi i artikullit	Ne deklarojmë nën përgjegjësinë tonë të vetme se produktet e deklaruara përbushin të gjitha dispozitat e zbatueshme të direktivave dhe rregulloreve të renditura më poshtë dhe janë në përputhje me standardet e mëposhtme. Dokumentacioni teknik gjendet në: *
sr	EU-izjava o usaglašenosti Akumulatorska presa za mast	Broj predmeta	Na sopstvenu odgovornost izjavljujemo, da navedeni proizvodi odgovaraju svim dotičnim odredbama naknadno navedenih smernica u uredaba i da su u skladu sa sledećim standardima. Tehnička dokumentacija kod: *
sl	Izjava o skladnosti EU Akumulatorska tlačilka za mast	Številka artikla	Izjavljamo pod izključno odgovornostjo, da je omenjen izdelek v skladu z vsemi relevantnimi določili direktiv in uredb ter ustreza naslednjim standardom. Tehnična dokumentacija pri: *

hr	EU izjava o sukladnosti	Pod punom odgovornošću izjavljujemo da navedeni proizvodi odgovaraju svim relevantnim odredbama direktiva i propisima navedenima u nastavku i da su sukladni sa sljedećim normama. Tehnička dokumentacija se može dobiti kod: *
	Akumulatorska preša za mast Kataloški br.	
et	EL-vastavusdeklaratsioon	Kinnitame ainuvastutatatena, et nimetatud tooted vastavad järgnevalt loetletud direktiivide ja määruste kõikidele asjaomastele nõuetele ja on kooskõlas järgmiste normidega. Tehnilised dokumendid saadaval: *
	Akuga määrdepress Tootenumber	
lv	Deklarācija par atbilstību ES standartiem	Mēs ar pilnu atbildību paziņojam, ka šeit aplūkotie izstrādājumi atbilst visiem tālāk minētajās direktīvās un rīkojumos ietvertajām saistošajām nostādņēm, kā arī sekojošiem standartiem. Tehniskā dokumentācija no: *
	Akumulatora smērvielas pistole Izstrādājuma numurs	
lt	ES atitikties deklaracija	Atsakingai pareiškiamė, kad išvardyti gaminiai atitinka visus privalomus žemiau nurodytų direktyvų ir reglamentų reikalavimus ir šiuos standartus. Techninė dokumentacija saugoma: *
	Akumulatorinis tepalo švirkštas Gaminio numeris	
	GFP 18V-10	3 601 JN6 000
		2006/42/EC 2014/30/EU 2011/65/EU EN 62841-1:2015+A11:2022 EN IEC 55014-1:2021 EN IEC 55014-2:2021 EN IEC 63000:2018
		
		BOSCH
		* Robert Bosch Power Tools GmbH (PT/ECS) 70538 Stuttgart GERMANY
		Thomas Donato Chairman of the Management Board
		Helmut Heinzelmann Head of Product Certification
		
		Robert Bosch Power Tools GmbH, 70538 Stuttgart, GERMANY Stuttgart, 05.12.2024

Declaration of Conformity

Cordless grease gun
GFP 18V-10

Article number
3 601 JN6 000

We declare under our sole responsibility that the stated products comply with all applicable provisions of the regulations listed below and are in conformity with the following standards.

Technical file at: Robert Bosch Ltd. (PT/SOP-GB), Broadwater Park, North Orbital Road, Uxbridge UB9 5HJ, United Kingdom

The Supply of Machinery (Safety) Regulations 2008
The Electromagnetic Compatibility Regulations 2016
The Restriction of the Use of Certain Hazardous Substances in
Electrical and Electronic Equipment Regulations 2012

EN 62841-1:2015+A11:2022
EN IEC 55014-1:2021
EN IEC 55014-2:2021
EN IEC 63000:2018



Steve Neumann
Regional Business Director UK & Ireland

A handwritten signature in black ink that reads 'S. Neumann'.

Robert Bosch Power Tools GmbH, 70538 Stuttgart, Germany
represented (in terms of the above regulations) by
Robert Bosch Limited, Broadwater Park, North Orbital Road,
Uxbridge UB9 5HJ, United Kingdom

Martin Sibley
Business Operations and Aftersales Director

A handwritten signature in black ink that reads 'Martin Sibley'.

Robert Bosch Ltd. Broadwater Park, North Orbital Road, Uxbridge UB9 5HJ, United Kingdom, as authorised representative acting on behalf of Robert Bosch Power Tools GmbH, 70538 Stuttgart, Germany

Place of issue: Uxbridge

Date of issue: 05/12/2024

Servicekontakte
Service Contacts
Contacts de Service
Contactos de Servicio



<https://www.bosch-pt.com/serviceaddresses>

Garantiebedingungen
Guarantee Conditions
Conditions de Garantie
Condiciones de Garantía



<https://www.bosch-pt.com/guarantee/202507>